
GARDNER DENVER®

301CMC997 Rev C
JULY 2011

WELL SERVICING PUMP

MODEL

C-2500 QUINTUPLEX

**YWS FLUID END
PARTS LIST**

Gardner

Denver

ECN 1060922

C-2500 WELL SERVICING PUMP

MAINTAIN PUMP RELIABILITY AND PERFORMANCE WITH GENUINE GARDNER DENVER PARTS AND SUPPORT SERVICES

Gardner Denver® genuine pump parts are manufactured to design tolerances and are developed for optimum dependability. Design and material innovations are the result of years of experience with hundreds of different pump applications. Reliability in materials and quality assurance is incorporated in our genuine replacement parts.

Your authorized Gardner Denver Sales Office offers all the backup you'll need. The Fort Worth Manufacturing Facility maintains a large inventory of genuine parts.

Gardner Denver supports your needs with these services:

1. Trained parts specialists to assist you in selecting the correct replacement parts.
2. Repair and maintenance kits designed with the necessary parts to simplify servicing your pump.

Authorized service technicians are factory trained and skilled in pump maintenance and repair. They are ready to respond and assist you by providing fast, expert maintenance and repair services.

For the location of your local authorized Gardner Denver distributor, refer to the yellow pages of your phone directory or contact:

Factory (Tulsa):

Gardner Denver Well Servicing Pumps
4747 South 83rd East Avenue
Tulsa, Oklahoma 74145

Phone: (918) 664-1151
(800) 637-8099

Fax: (918) 664-6225

Service Center (Odessa):

Chaparral
2121 West 44th Street
Odessa, Tx 79768

Phone: (432) 366-5433
(800) 368-1134

Fax: (432) 363-9940

Service Center (Ft. Worth):

Geoquip
7533 Kathy Lane
Ft. Worth, Texas 76126

Phone: (817) 249-6400
(800) 824-0271

Fax: (817) 249-6401

INSTRUCTIONS FOR ORDERING REPAIR PARTS

When ordering parts, specify Pump MODEL and SERIAL NUMBER (see nameplate on unit). The Serial Number is also stamped on top of the cylinder end of the frame (cradle area).

All orders for Parts should be placed with the Tulsa or Ft. Worth facility.

Where NOT specified, quantity of parts required per pump or unit is one (1); where more than one is required per unit, quantity is indicated in parenthesis. **SPECIFY EXACTLY THE NUMBER OF PARTS REQUIRED.**

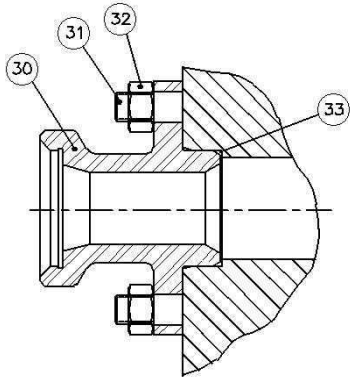
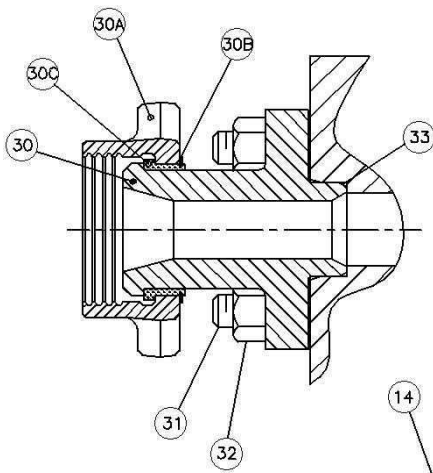
TABLE OF CONTENTS

TABLE OF CONTENTS	1
LIST OF FIGURES.....	1
4.5" YWS FLUID CYLINDER ASSEMBLY.....	3
5" YWS FLUID CYLINDER ASSEMBLY.....	5
5.5" YWS FLUID CYLINDER ASSEMBLY.....	7
RSL PACKING ASSEMBLY FOR YWS CYLINDER	8
4.5" RSL PACKING ASSEMBLY	8
5" RSL PACKING ASSEMBLY	8
5.5" RSL PACKING ASSEMBLY	8
YWS FLUID END SERVICE TOOLS	9

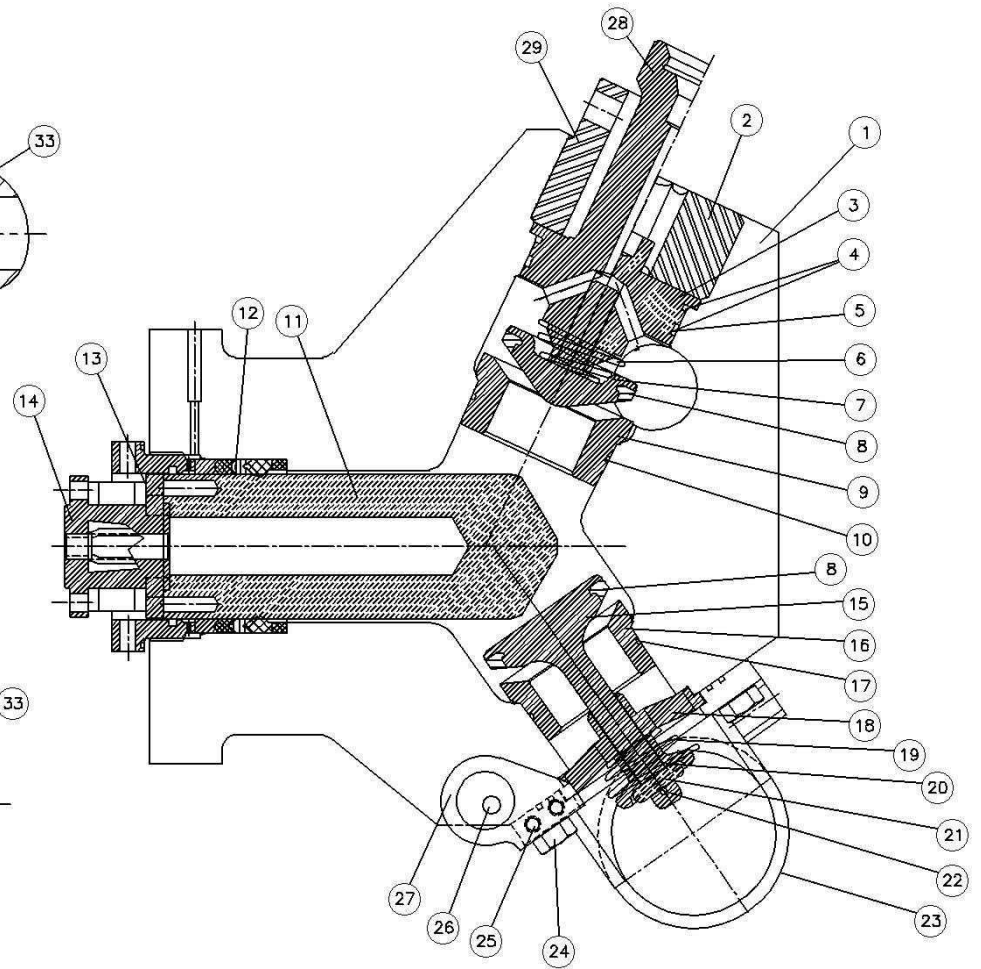
LIST OF FIGURES

4.5" YWS FLUID CYLINDER ASSEMBLY.....	2
5.0" YWS FLUID CYLINDER ASSEMBLY.....	4
5.5" YWS FLUID CYLINDER ASSEMBLY.....	6
RSL PACKING ASSEMBLY DETAIL.....	8

Male Discharge Flange Option



Female Discharge Flange Option



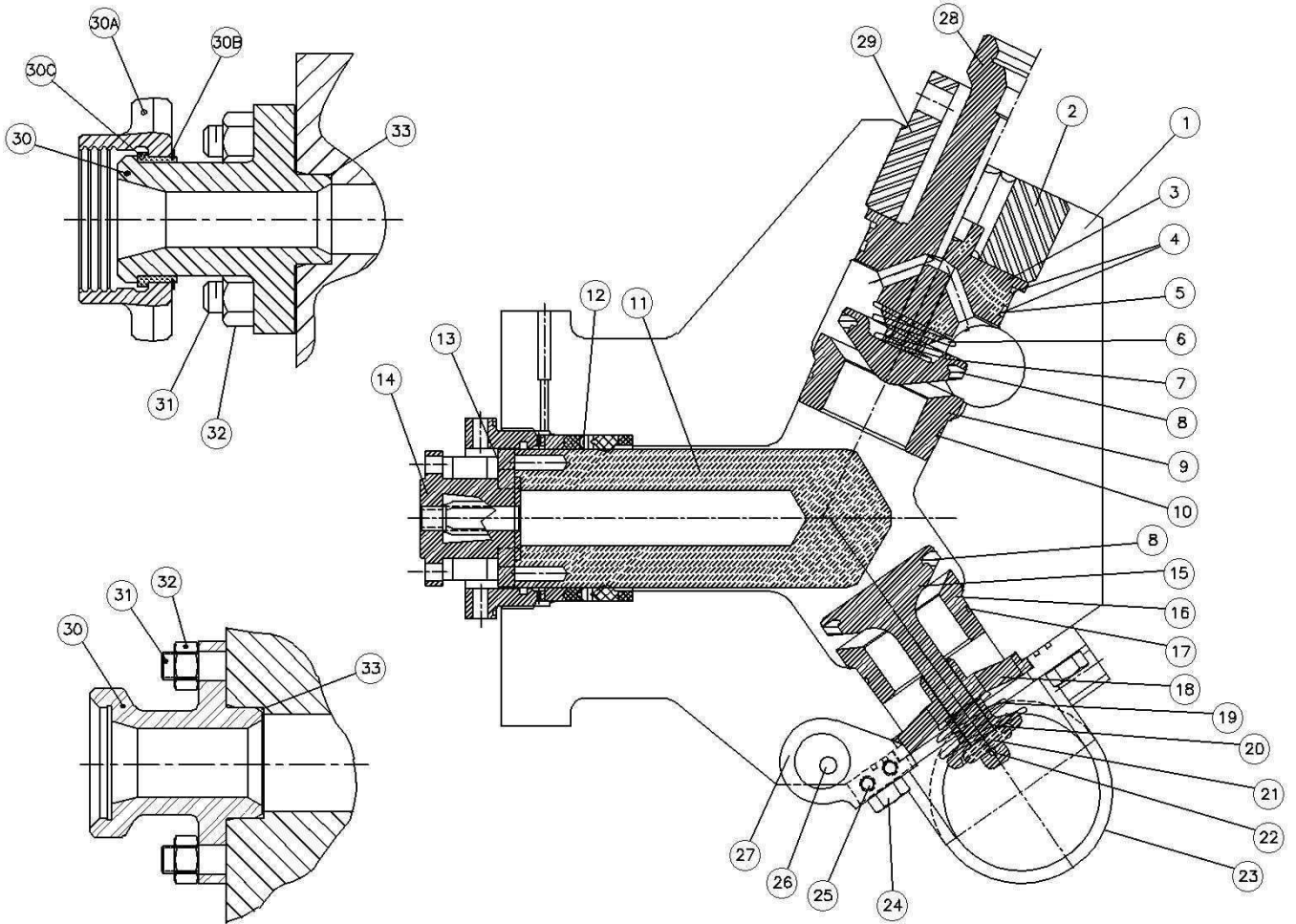
REF DRAWING # 305CMB810

4.5" YWS FLUID CYLINDER ASSEMBLY

4.5" YWS FLUID CYLINDER ASSEMBLY

Ref No.	Name of Part	Qty.	Part No.
1	FLUID CYLINDER, 4.5" YWS	1	PP1003338
2	RETAINER NUT, PLAIN DISCHARGE	4	PP1002720
3	DISCHARGE VALVE COVER – PLAIN	4	PP1007451
4	SEAL – DISCHARGE VALVE COVER O-RING	5	162810
5	SEAL – DISCHARGE VALVE COVER O-RING BACK-UP	10	25BC659
6	VALVE SPRING – DISCHARGE	5	918PN05
7	DISCHARGE VALVE	5	PP1002761
8	VALVE INSERT (SUCTION & DISCHARGE)	10	PP1002901
9	VALVE SEAT – DISCHARGE	5	PP1002744
10	O-RING – VALVE SEAT	5	901SH05-249
11	PLUNGER, 4.5"	5	PP1003340
12	PACKING ASSEMBLY (See Page 16)	5	
13	CAPSCREW	40	75LM187
14	PLUNGER ADAPTER	5	PP1003343
15	SUCTION VALVE	5	PP1002757
16	VALVE SEAT – SUCTION	5	PP1002621
17	O-RING – VALVE SEAT	5	161125
18	VALVE GUIDE – SUCTION	5	PP1002774
19	VALVE SPRING – SUCTION	5	918PN05
20	KEEPER – SUCTION VALVE	5	PP1002709
21	PIN, SUCTION VALVE KEEPER	5	PP1002706
22	ROLL PIN, SUCTION VALVE KEEPER	5	62R96
23	SUCTION MANIFOLD OPTIONS: 6" X 8" VICTAULIC CONNECTIONS*	1	PP1003382
	*O-RING – SUCTION MANIFOLD, SMALL (Not Shown)	5	901SH05-363
24	CAP SCREW	20	PP1005105
25	CAP SCREW	4	75P76
26	CAPSCREW	2	75P117
27	HINGE, SUCTION MANIFOLD *SPACER, HINGE (Not Shown)	2 4	PP1002805 168195
28	DISCHARGE COVER WITH 2" 1502 GAUGE CONNECTION* *WECO SEAL FOR ABOVE (Not Shown)	1 1	PP1007443 901SH06-1
29	RETAINER NUT, DISCHARGE GAGE CONNECTION	1	PP1002962
30	DISCHARGE FLANGE OPTIONS: BLIND FLANGE	1	265PN03
	BLIND FLANGE WITH BLEED OFF	1	268PN02
	3" 1502 FEMALE* *WECO SEAL FOR ABOVE (Not Shown)	1 1	PP1002959 901SH06-2
	3" 1502 MALE (Require 32A, 32B, and 32C)	1	PP1002960
30A	UNION NUT	1	431200090
30B	RETAINING RING	1	421067000
30C	RETAINING SEGMENTS	3	431042090
31	STUD	12	450VP005-034
32	HEX NUT	12	50B10
33	SEAL – DISCHARGE FLANGE, O-RING SHOULDER	2	107981
34	SEAL – DISCHARGE FLANGE, O-RING GROOVE (Not Shown)	2	107976

Male Discharge Flange Option



Female Discharge Flange Option

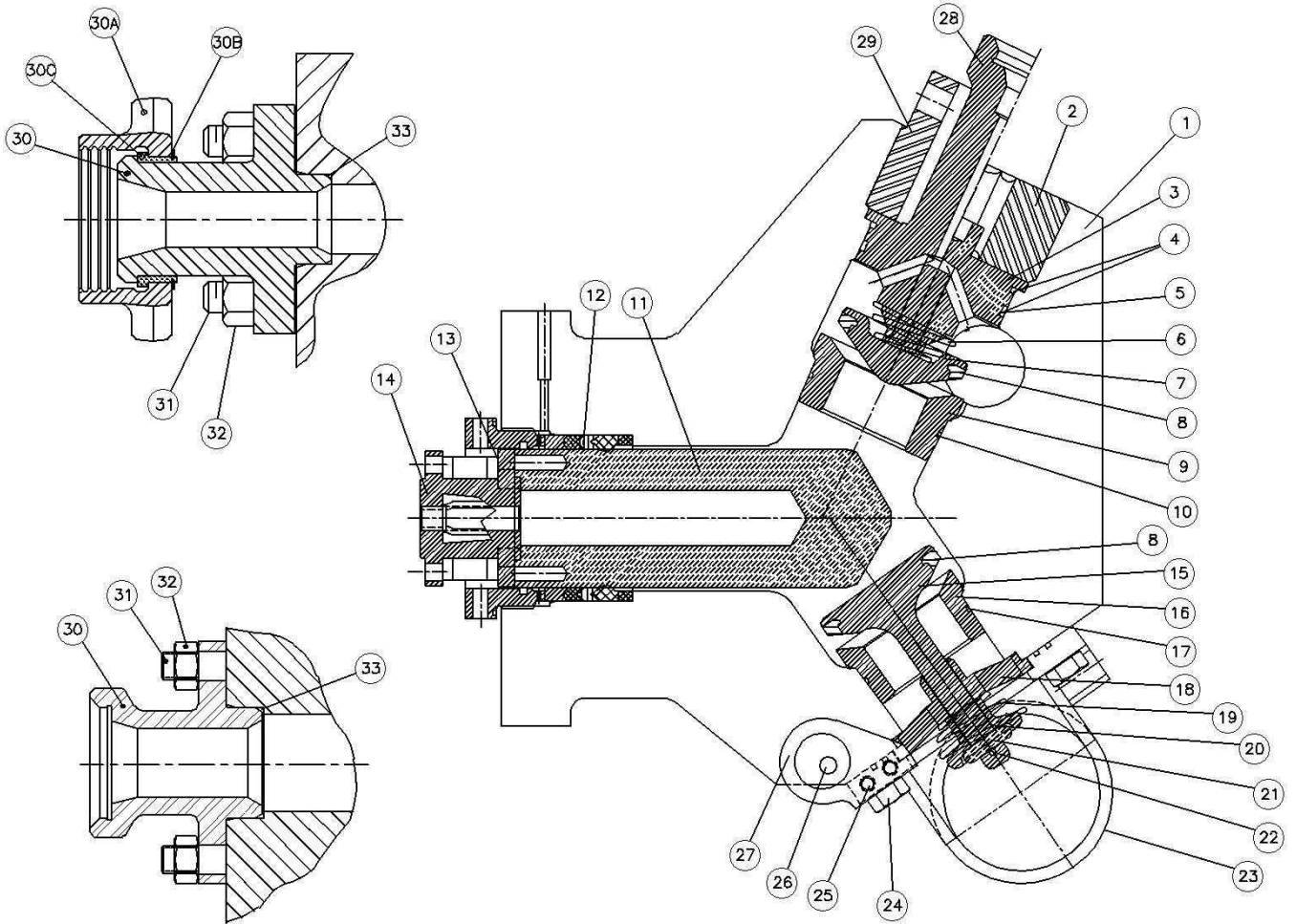
REF DRAWING # 305CMB810

5.0" YWS FLUID CYLINDER ASSEMBLY

5" YWS FLUID CYLINDER ASSEMBLY

Ref No.	Name of Part	Qty.	Part No.
1	FLUID CYLINDER, 5" YWS	1	PP1003933
2	RETAINER NUT, PLAIN DISCHARGE	4	PP1002720
3	DISCHARGE VALVE COVER – PLAIN	4	PP1007451
4	SEAL – DISCHARGE VALVE COVER O-RING	5	162810
5	SEAL – DISCHARGE VALVE COVER O-RING BACK-UP	10	25BC659
6	VALVE SPRING – DISCHARGE	5	918PN05
7	DISCHARGE VALVE	5	PP1002761
8	VALVE INSERT (SUCTION & DISCHARGE)	10	PP1002901
9	VALVE SEAT – DISCHARGE	5	PP1002744
10	O-RING – VALVE SEAT	5	901SH05-249
11	PLUNGER, 5"	5	PP1002619
12	PACKING ASSEMBLY (See Page 16)	5	
13	CAPSCREW	40	75LM187
14	PLUNGER ADAPTER	5	PP1002680
15	SUCTION VALVE	5	PP1002757
16	VALVE SEAT – SUCTION	5	PP1002621
17	O-RING – VALVE SEAT	5	161125
18	VALVE GUIDE – SUCTION	5	PP1002774
19	VALVE SPRING – SUCTION	5	918PN05
20	KEEPER – SUCTION VALVE	5	PP1002709
21	PIN, SUCTION VALVE KEEPER	5	PP1002706
22	ROLL PIN, SUCTION VALVE KEEPER	5	62R96
23	SUCTION MANIFOLD OPTIONS: 8" X 6" VICTAULIC CONNECTIONS*	1	PP1003382
	*O-RING – SUCTION MANIFOLD, SMALL (Not Shown)	5	901SH05-363
24	CAP SCREW	20	PP1005105
25	CAP SCREW	4	75P76
26	CAPSCREW	2	75P117
27	HINGE, SUCTION MANIFOLD *SPACER, HINGE (Not Shown)	2 4	PP1002805 168195
28	DISCHARGE COVER WITH 2" 1502 GAUGE CONNECTION* *WECO SEAL FOR ABOVE (Not Shown)	1 1	PP1007443 901SH06-1
29	RETAINER NUT, DISCHARGE GAGE CONNECTION	1	PP1002962
30	DISCHARGE FLANGE OPTIONS: BLIND FLANGE	1	265PN03
	BLIND FLANGE WITH BLEED OFF	1	268PN02
	3" 1502 FEMALE* *WECO SEAL FOR ABOVE (Not Shown)	1 1	PP1002959 901SH06-2
	3" 1502 MALE (Require 32A, 32B, and 32C)	1	PP1002960
30A	UNION NUT	1	431200090
30B	RETAINING RING	1	421067000
30C	RETAINING SEGMENTS	3	431042090
31	STUD	12	450VP005-034
32	HEX NUT	12	50B10
33	SEAL – DISCHARGE FLANGE, O-RING SHOULDER	2	107981
34	SEAL – DISCHARGE FLANGE, O-RING GROOVE (Not Shown)	2	107976

Male Discharge Flange Option



Female Discharge Flange Option

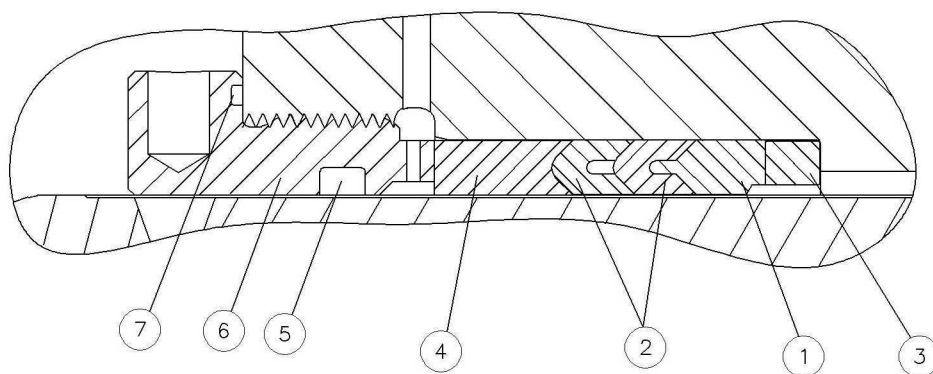
REF DRAWING # 305CMB810

5.5" YWS FLUID CYLINDER ASSEMBLY

5.5" YWS FLUID CYLINDER ASSEMBLY

Ref No.	Name of Part	Qty.	Part No.
1	FLUID CYLINDER, 5.5" YWS	1	PP1003383
2	RETAINER NUT, PLAIN DISCHARGE	4	PP1002722
3	DISCHARGE VALVE COVER – PLAIN	4	PP1007454
4	SEAL – DISCHARGE VALVE COVER O-RING	5	VP1003853
5	SEAL – DISCHARGE VALVE COVER O-RING BACK-UP	10	VP1007750
6	VALVE SPRING – DISCHARGE	5	918VP030
7	DISCHARGE VALVE	5	PP1002762
8	VALVE INSERT (SUCTION & DISCHARGE)	10	PP1002903
9	VALVE SEAT – DISCHARGE	5	PP1002622
10	O-RING – VALVE SEAT	5	108513
11	PLUNGER, 5.5"	5	PP1002618
12	PACKING ASSEMBLY (See Page 16)	5	
13	CAPSCREW	40	75LM187
14	PLUNGER ADAPTER	5	PP1003371
15	SUCTION VALVE	5	PP1002758
16	VALVE SEAT – SUCTION	5	PP1002623
17	O-RING – VALVE SEAT	5	137866
18	VALVE GUIDE – SUCTION	5	PP1002776
19	VALVE SPRING – SUCTION	5	918VP030
20	KEEPER – SUCTION VALVE	5	PP1002715
21	PIN, SUCTION VALVE KEEPER	5	PP1002719
22	ROLL PIN, SUCTION VALVE KEEPER	5	PP1005225
23	SUCTION MANIFOLD OPTIONS: 8" X 6" VICTAULIC CONNECTIONS*	1	PP1003382
	*O-RING – SUCTION MANIFOLD, SMALL (Not Shown)	5	901SH05-363
24	CAP SCREW	20	PP1005105
25	CAP SCREW	4	75P76
26	CAPSCREW	2	75P117
27	HINGE, SUCTION MANIFOLD *SPACER, HINGE (Not Shown)	4	168195
28	DISCHARGE COVER WITH 2" 1502 GAUGE CONNECTION* *WECO SEAL FOR ABOVE (Not Shown)	1	PP1007783
		1	901SH06-1
29	RETAINER NUT, DISCHARGE GAGE CONNECTION	1	PP1003247
30	DISCHARGE FLANGE OPTIONS: BLIND FLANGE	1	265PN03
	BLIND FLANGE WITH BLEED OFF	1	268PN02
	3" 1502 FEMALE*	1	PP1002959
	*WECO SEAL FOR ABOVE (Not Shown)	1	901SH06-2
	3" 1502 MALE (Require 32A, 32B, and 32C)	1	PP1002960
30A	UNION NUT	1	431200090
30B	RETAINING RING	1	421067000
30C	RETAINING SEGMENTS	3	431042090
31	STUD	12	450VP005-034
32	HEX NUT	12	50B10
33	SEAL – DISCHARGE FLANGE, O-RING SHOULDER	2	107981
34	SEAL – DISCHARGE FLANGE, O-RING GROOVE (Not Shown)	2	107976

RSL PACKING ASSEMBLY FOR YWS CYLINDER



**RSL PACKING ASSEMBLY DETAIL
4.5" RSL PACKING ASSEMBLY**

Ref No.	Name of Part	Qty.	Part No.
1	HEADER RING, 4.5"	1	901VP014-014
2	PACKING RING	2	901VP002-014
3	SPACER	1	PP1003361
4	FEMALE ADAPTER	1	PP1003345
5	WIPER SEAL	1	60AM57
6	PACKING NUT	1	182PN02
7	O-RING	1	108515

5" RSL PACKING ASSEMBLY

Ref No.	Name of Part	Qty.	Part No.
1	HEADER RING, 5"	1	901VP014-009
2	PACKING RING	2	901VP002-009
3	SPACER	1	PP1002678
4	FEMALE ADAPTER	1	PP1002679
5	WIPER SEAL	1	60AM58
6	PACKING NUT	1	PP1002608
7	O-RING	1	167661

5.5" RSL PACKING ASSEMBLY

Ref No.	Name of Part	Qty.	Part No.
1	HEADER RING, 5.5"	1	901VP014-008
2	PACKING RING	2	901VP002-008
3	SPACER	1	PP1002883
4	FEMALE ADAPTER	1	PP1004581
5	WIPER SEAL	1	60AM60
6	PACKING NUT	1	PP1002958
7	O-RING	1	901SH05-263

YWS FLUID END SERVICE TOOLS

Ref No.	Name of Part	Qty.	Part No.
A	PACKING NUT WRENCH	1	PP1002955
B	HEX WRENCH (SELECT FROM 2 SIZE OPTIONS BELOW)		
	4.5"-5.0" FLUID END HEX WRENCH (2" HEX)	1	P-A-09
	5.5"-7.0" FLUID END HEX WRENCH (3" HEX)	1	342-A-89
C	SLIDE HAMMER WRENCH	1	PP1002941
D	MANIFOLD LIFT BAR	1	PP1004776
E	GAUGE CONNECTION RETAINER WRENCH	1	PP1002787
F	SUCTION VALVE SPRING TOOL	1	PP1002643
G	SEAT PULLER TOOL KIT (SELECT FROM 3 SIZE OPTIONS BELOW)		
	4.5" – 5.0" SEAT PULLER TOOL KIT (*INCLUDES THE FOLLOWING 4 ITEMS)	1	590AD016
	* SEAT PULLER ASSEMBLY	1	OPA90683
	* PULLER HEAD ASSEMBLY	1	590AD011
	* NUT	1	50B18
	* STUD	1	450PN022
	5.5" – 6.0" SEAT PULLER TOOL KIT (*INCLUDES THE FOLLOWING 4 ITEMS)	1	404THD6031
	* SEAT PULLER ASSEMBLY	1	OPA90683
	* PULLER HEAD ASSEMBLY	1	590AD012
	* NUT	1	50B18
	* STUD	1	450PN022
	6.5" – 7.0" SEAT PULLER TOOL KIT (*INCLUDES THE FOLLOWING 4 ITEMS)	1	PP1005578
	* SEAT PULLER ASSEMBLY	1	OPA90683
	* PULLER HEAD ASSEMBLY	1	PP1005577
	* NUT	1	50B18
	* STUD	1	450PN022
H	YWS SEAT REMOVAL PLATE	1	PP1003334
I	SEAT REMOVAL PLUG (SELECT FROM 3 SIZE OPTIONS BELOW)		
	4.5" – 5.0" SEAT REMOVAL PLUG	1	PP1004548
	5.5" – 6.0" SEAT REMOVAL PLUG	1	PP1004549
	6.5" – 7.0" SEAT REMOVAL PLUG	1	PP1004550

北京

信德迈科技(北京)有限公司CNMEC Technology

北京朝阳区胜古中路2号金基业大厦201室

邮编：100029

电话：010-8428 2935 13910962635

传真：010-8428 8762

主页：[//www.cnmec.biz](http://www.cnmec.biz)

电子邮件：sales@cnmec.biz

西安

西安嘉岳自动化技术有限公司Garye Automation

地址：西安经开区凤城二路天地时代广场B座23层22312室

邮编：710016

电话：029 - 8610 8648 15319759129

传真：029 - 8610 6806

主页：<http://www.garye.cn>

电子邮件：sales@garye.cn

Gardner
Denver